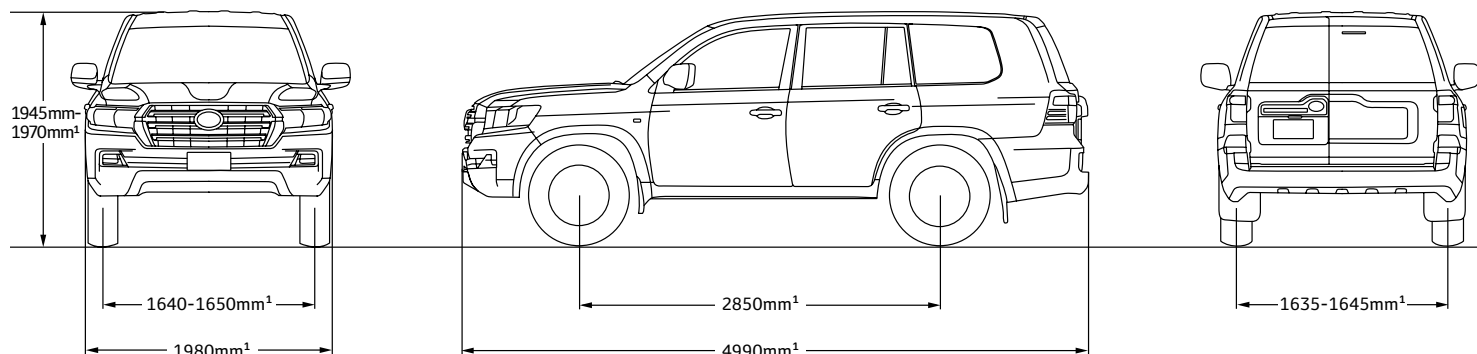


**TOYOTA**

# LC200



MECHANICAL SPECIFICATIONS		4.6L V8 Petrol		4.5L Twin Turbo diesel V8				
<b>Engine</b>	Name	1UR-FE		1VD-FTV				
	Displacement (cm <sup>3</sup> )	4608		4461				
	Max power (kW/rpm) <sup>2</sup>	227/5500		200/3600				
	Max torque (Nm/rpm) <sup>2</sup>	439/3400		650/1600 – 2600				
	Valve train	DOHC with Dual VVT-i		DOHC				
	Fuel system	Multi-Point EFI		Common Rail Direct Injection				
	Bore x Stroke (mm)	94 x 83		86 x 96				
	Compression ratio	10.2:1		16.8:1				
Fuel economy (combined) <sup>3</sup>	13.4L/100km		9.5L/100km					
<b>Transmission</b>	Differential ratio	4.300		3.909				
	Transmission type	Automatic 6-speed Electronic Control Transmission with Artificial Intelligence Shift Control and Sequential Shift						
	Transmission ratios	1st 3.333; 2nd 1.960; 3rd 1.353; 4th 1.000; 5th 0.728; 6th 0.588; Reverse 3.061						
	Transfer ratio high / low	1 / 2.618						
	Centre differential	Torsen Limited Slip Centre Differential						
4x4 drive mechanism	Full time							
<b>Steering</b>	Type	Power assisted rack and pinion						
	Turning circle – kerb to kerb (m)	11.8						
<b>Brakes</b>	Front	354 mm Ventilated discs						
	Rear	345 mm Ventilated discs						
<b>Suspension</b>	Front	Independent double wishbone with a coil spring, gas dampers and anti-roll bar						
	Rear	4-link coil rear suspension with Panhard rod with coil springs, gas dampers and anti-roll bar						
<b>LANDCRUISER MODEL</b>		<b>GX Turbo diesel</b>	<b>GXL Petrol</b>	<b>GXL Turbo diesel</b>	<b>VX Petrol</b>	<b>VX Turbo diesel</b>	<b>Sahara Petrol</b>	<b>Sahara Turbo diesel</b>
<b>Weights (Approximate)</b>	Kerb weight <sup>1</sup> (kg)	2640	2740	2740	2740	2740	2740	2740
	Gross vehicle mass <sup>1</sup> (kg)	3350	3350	3350	3350	3350	3350	3350
	Maximum roof load (kg)	200	200	200	200	200	200	200
<b>Seating Capacity</b>	Seating	5	8	8	8	7	8	7
<b>Towing Capacity</b>	With trailer brakes <sup>4</sup> (kg)	3500	3500	3500	3500	3500	3500	3500
	Without <sup>4</sup> (kg)	750	750	750	750	750	750	750
<b>Fuel Tank Capacity</b>	Main (93L) / Sub (45L)	138L	138L	138L	138L	138L	138L	138L
<b>Exterior</b>	LED headlamps with auto-levelling		•	•				
	Bi-Beam LED headlamps with LED Daylight Running Lamps (DRL) with washers and Dynamic Auto-levelling				•	•	•	•
	Front fog lamps		•	•	•	•	•	•
	Power retractable exterior mirrors				•	•	•	•
	Privacy glass		•	•	•	•	•	•
	Side steps		•	•	•	•	•	•
	Rear barn doors	•						
	Power back door						•	•
Spare tyre mounted underside of cargo floor	•	•	•	•	•	•	•	
<b>Wheels</b>	Tyre size	285/65R17	285/65R17	285/65R17	285/60R18	285/60R18	285/60R18	285/60R18
	Rim type	17" steel	17" alloy	17" alloy	18" alloy	18" alloy	18" alloy	18" alloy
<b>Interior</b>	Leather accented interior with Woodgrain-look highlights				•	•	•	•
	Vinyl floor covering	•						
	Premium steering wheel and gear lever		•	•	•	•	•	•
	Passenger assist grips and grab handles	•	•	•	•	•	•	•
	Drivers 6-way manual seat adjustment and power lumbar support	•	•	•				
Power adjustable driver and front passenger seats and driver seat power lumbar support				•	•	•	•	

LANDCRUISER MODEL		GX Turbo diesel	GXL Petrol	GXL Turbo diesel	VX Petrol	VX Turbo diesel	Sahara Petrol	Sahara Turbo diesel
<b>Interior</b> <i>(continued)</i>	Ventilated front seats						•	•
	Front and rear heated seats						•	•
	2nd row seat: 60/40 split folding seat backs	•	•	•				
	2nd row seat: 40/20/40 split folding seat backs				•	•	•	•
	3rd row seat: side folding and 50/50 split seat backs		•	•	•	•	•	•
<b>Features</b>	Air intake with pre-cleaner and snorkel	•		OPT		OPT		OPT
	Smart entry and start system		•	•	•	•	•	•
	Back Guide Monitor				•	•	•	•
	Manual air conditioning	•						
	Dual-zone front climate control air conditioning		•	•				
	4-zone front climate control air conditioning				•	•	•	•
	Power windows with auto up/down	•	•	•	•	•	•	•
	Accessory power sockets: front (12V) and rear (220V)	Front only	•	•	•	•	•	•
	Rain sensing wipers				•	•	•	•
	Driver's setting memory (3-position) seat,						•	•
	Moonroof				•	•	•	•
	Dual 11.6" rear seat entertainment screens with						•	•
	Cool box						•	•
<b>Instruments and Controls</b>	Cruise control	•	•	•	•	•		
	Active Cruise Control						•	•
	Premium steering wheel with audio, MID and telephone controls		•	•	•	•		
	Premium and woodgrain-look steering wheel with audio, MID and telephone controls						•	•
	Multi-Terrain Monitor (4 cameras)						•	•
	Multi Information Display (MID)				•	•	•	•
	Electro chromatic interior mirror						•	•
<b>Sound System</b>	Single disc CD player, MP3 compatibility and AM/FM tuner <sup>5</sup>	•						
	Single disc CD player with 6.1" LCD touchscreen, MP3 compatibility, AM/FM tuner and digital radio <sup>6</sup>		•	•				
	Electro Multi Vision (EMV) with 9" LCD touchscreen with digital radio <sup>6</sup> /AM/FM tuner				•	•	•	•
	3.5mm AUX input for portable audio players	•			•	•	•	•
	USB input for some iPod <sup>®7</sup> /USB memory sticks	•	•	•	•	•	•	•
	Bluetooth <sup>®</sup> capabilities <sup>8</sup>	•	•	•	•	•	•	•
	Number of speakers	4	6	6	9	9	9	9
Satellite navigation <sup>9</sup>		•	•	•	•	•	•	
<b>4WD Technologies</b>	Multi-Terrain Select				•	•	•	•
	Crawl control (Incorporating Off-road Turn Assist)	•	•	•	•	•	•	•
	Kinetic Dynamic Suspension System (KDSS)			OPT	•	•	•	•
<b>Safety</b>	Toyota Safety Sense +with Lane Departure Alert (LDA), Pre-Collision Safety system (PCS) with Pedestrian Detection, <sup>10</sup> Automatic High Beam (AHB) and Active Cruise Control (ACC)						•	•
	Reversing camera		•	•	•	•	•	•
	Front clearance and rear parking sensors				•	•	•	•
	Vehicle Stability Control (VSC)	•	•	•	•	•	•	•
	Active Traction Control (A-TRC)	•	•	•	•	•	•	•
	Blind Spot Monitor (BSM) with						•	•
	Hill-start Assist Control (HAC)	•	•	•	•	•	•	•
	Multi-Terrain Anti-lock Braking System (ABS)	•	•	•	•	•	•	•
	Driver and front passenger SRS knee airbags,	•	•	•	•	•	•	•
	2nd row side airbags				•	•	•	•
	3rd row curtain shield airbags		•	•	•	•	•	•
Child restraint anchorage points x3	•	•	•	•	•	•	•	
Luggage tie down hooks	•	•	•	•	•	•	•	
<b>Security</b>	Engine immobiliser and alarm (Alarm not available on the GX Turbo diesel)	•	•	•	•	•	•	•

1 Vehicle weights/mass and dimensions are approximate and subject to individual vehicle variances. Vehicles should be individually weighed and measured before fitting any accessories, towing or designing any compatible trailer/caravan or otherwise using the vehicle in any way that depends on this value.

2 Power and torque test standards differ. Ensure comparisons use same test standard.

3 Achieved in test conditions. Actual fuel consumption may vary depending on driving conditions/style, vehicle condition and options/accessories fitted. Fuel consumption data provided for comparison purposes only. Source: ADR81/02 combined.

4 Towing capacity is subject to regulatory requirements, towbar and vehicle design and towing equipment limitations. Ask your Dealer for Toyota Genuine Tow bar capacity and availability details.

5 Not all devices will be compatible and functionality will vary depending on the device

6 Digital radio station coverage dependent on vehicle location.

7 iPod<sup>®</sup> is a trademark of Apple, Inc. Not all devices will be compatible and functionality will vary depending on the device.

8 The Bluetooth<sup>®</sup> word mark is owned by Bluetooth SIG, Inc. Not all devices will be compatible and functionality varies depending on the device.

9 Current navigation mapping database encompasses major capital and primary national road networks and offers some coverage in regional areas. [LC200 GXL, VX and Sahara models]

10 Pre-Collision Safety system with Pedestrian Detection is a driver assist feature only and not a substitute for safe driving practices. Driver remains responsible at all times for safe driving. Pedestrians may not be detected in certain conditions including low and harsh light, where partially obstructed from view, where clothing or movement obscures or affects body contours, persons under 1 metre or over 2 metres tall and where carrying or pushing large objects.

**IMPORTANT NOTICE – PLEASE READ:** Toyota Australia uses its best endeavours to ensure material is correct when published. Check with your authorised Toyota dealer when ordering to ensure the vehicle with your chosen specifications, equipment and colour is available and can be delivered within the timeframe suitable to you. When ordering accessories, check with your authorised Toyota dealer to ensure the accessory's design, features and colours are available and fit your vehicle. Ensure the mass of your load does not exceed the maximum allowable individual axle capacity, Gross Vehicle Mass and/or Gross Combined Mass of the vehicle. Refer to [toyota.com.au](http://toyota.com.au) for further details. Colours displayed are a guide only and may vary from actual colours due to printing/display processes. Certain accessories when fitted will require the removal of standard equipment, which may be retained

by Toyota Australia or your Toyota dealer. Toyota Australia reserves the right to change, without notice, prices, colours, materials, equipment, specifications and discontinue colours/models. To the extent permitted by law, Toyota Australia will not be liable for any damage, loss or expense incurred as a result of reliance on this material in any way. Distributed nationally (other than in Western Australia) by Toyota Motor Corporation Australia Limited ABN 64 009 686 097, 155 Bertie St, Port Melbourne 3207. Material distributed in Western Australia by or on behalf of Prestige Motors Pty Ltd (for vehicles) and by Eastpoint Pty Ltd (for parts/accessories). Toyota Australia makes no warranties regarding (and will not be liable for) accuracy of materials distributed in Western Australia. PROOF HQ: T2017-008400. GTO1857. NOVEMBER 2017.